

**European Synchrotron Radiation Facility**

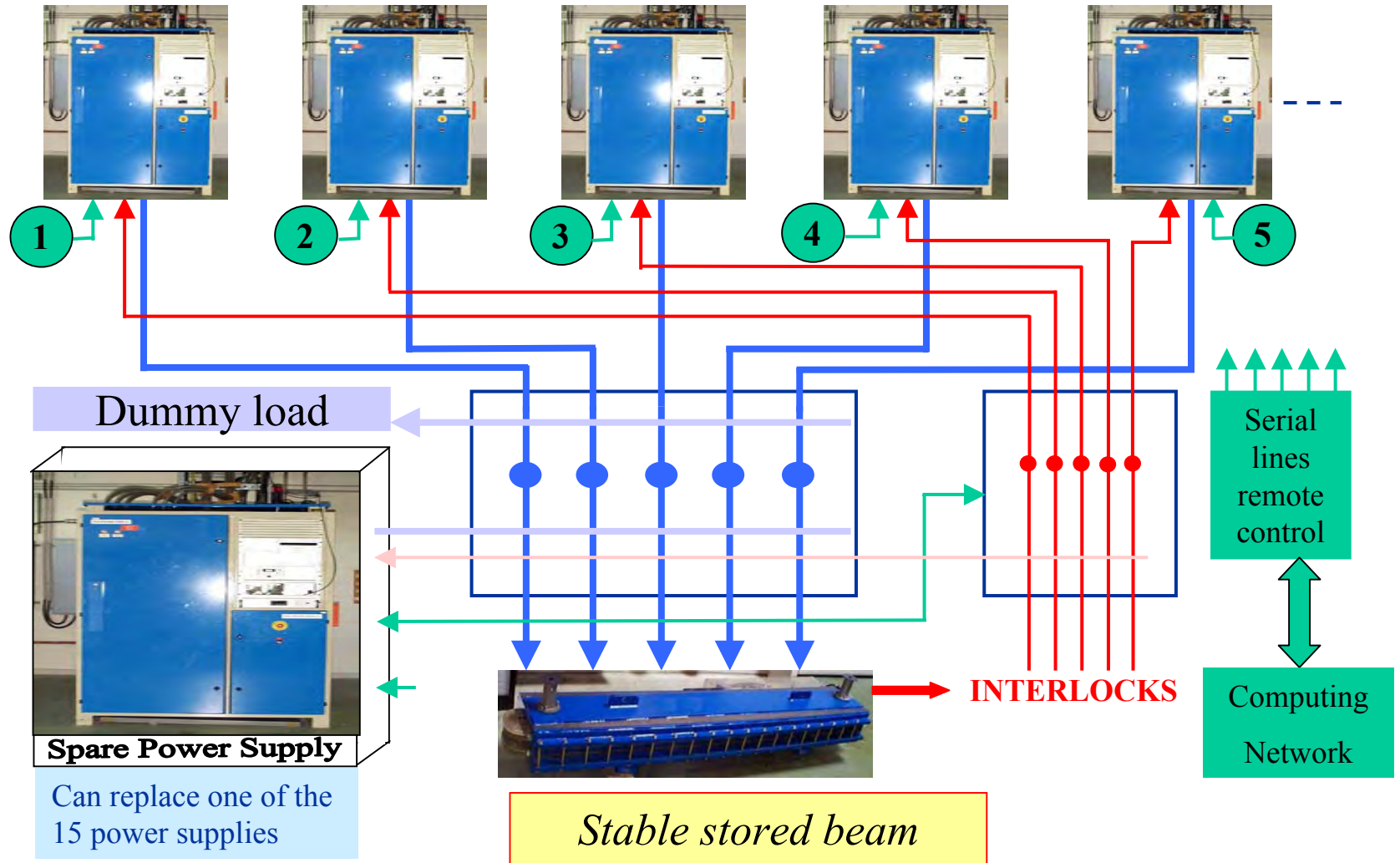
# **THE POWER SUPPLIES SWITCHING BOARD**

**An efficient system to minimize  
power supplies failure downtime.**

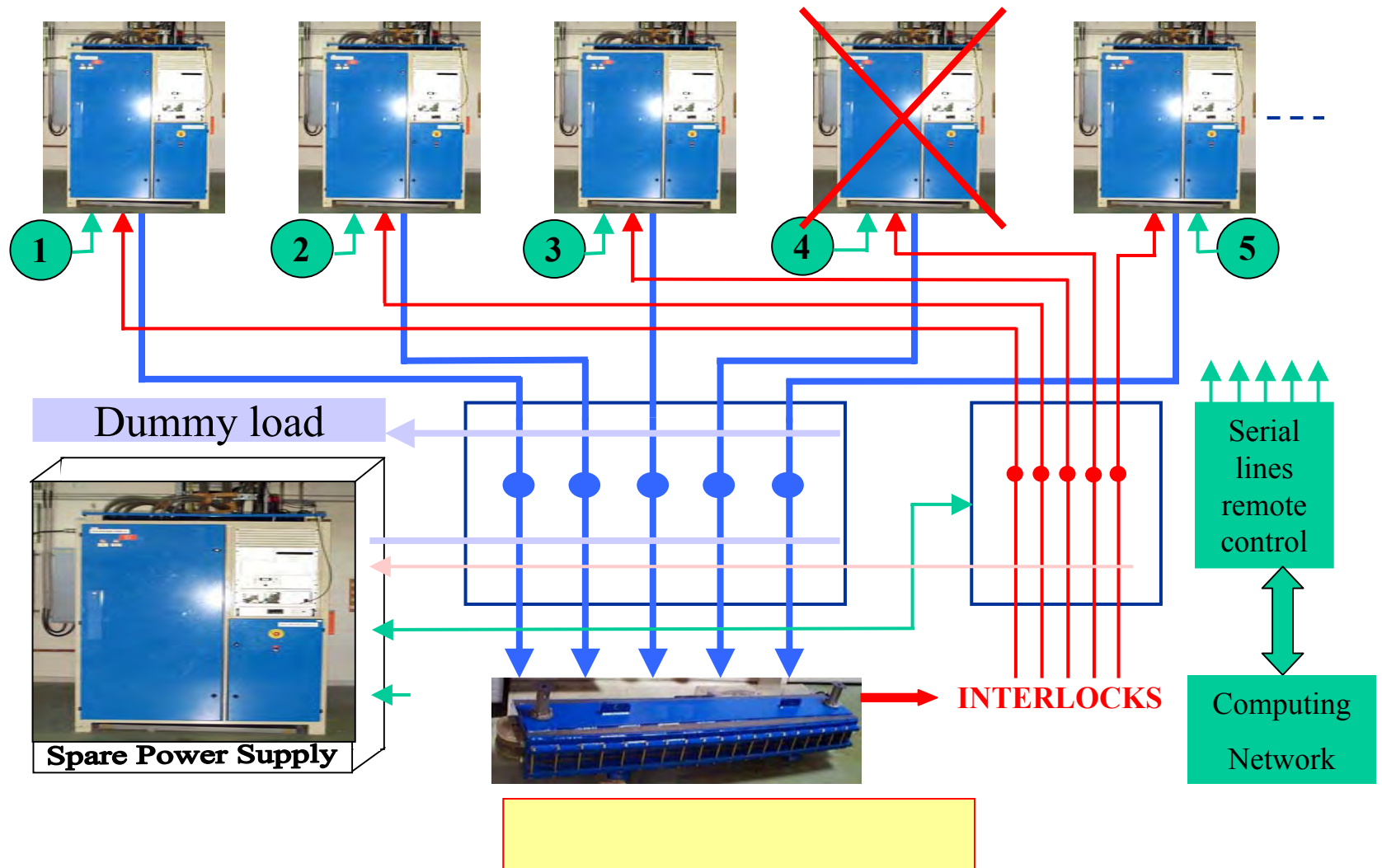
# THE POWER SUPPLIES SWITCHING BOARD

- 1 spare power supply + 1 device to switch it on a magnet family
- Easy replacement of one of the 15 magnet power supplies
- Possibility to connect one power supply on dummy load
- Fast disconnection of a magnet chain for insulation test

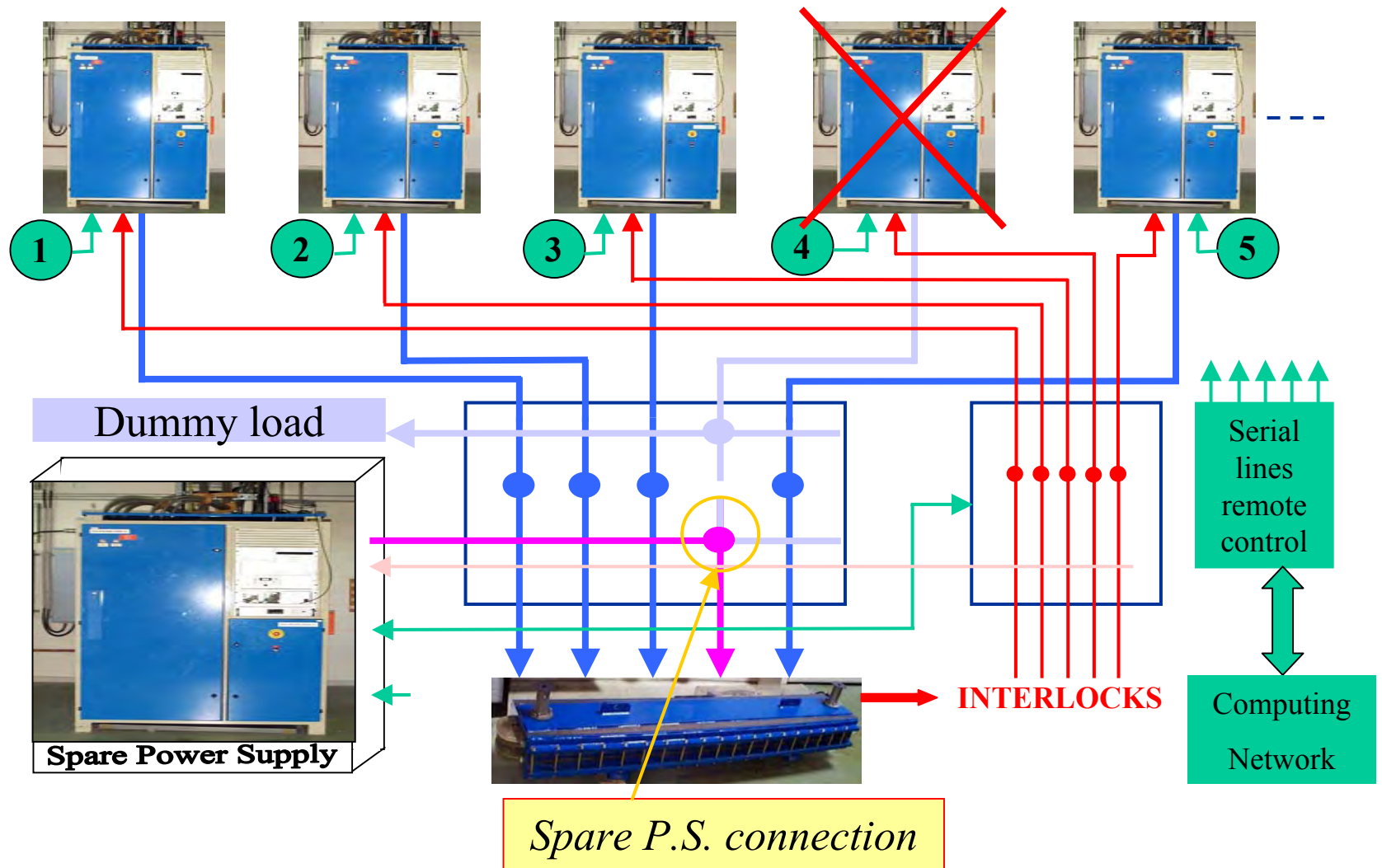
# THE POWER SUPPLIES SWITCHING BOARD



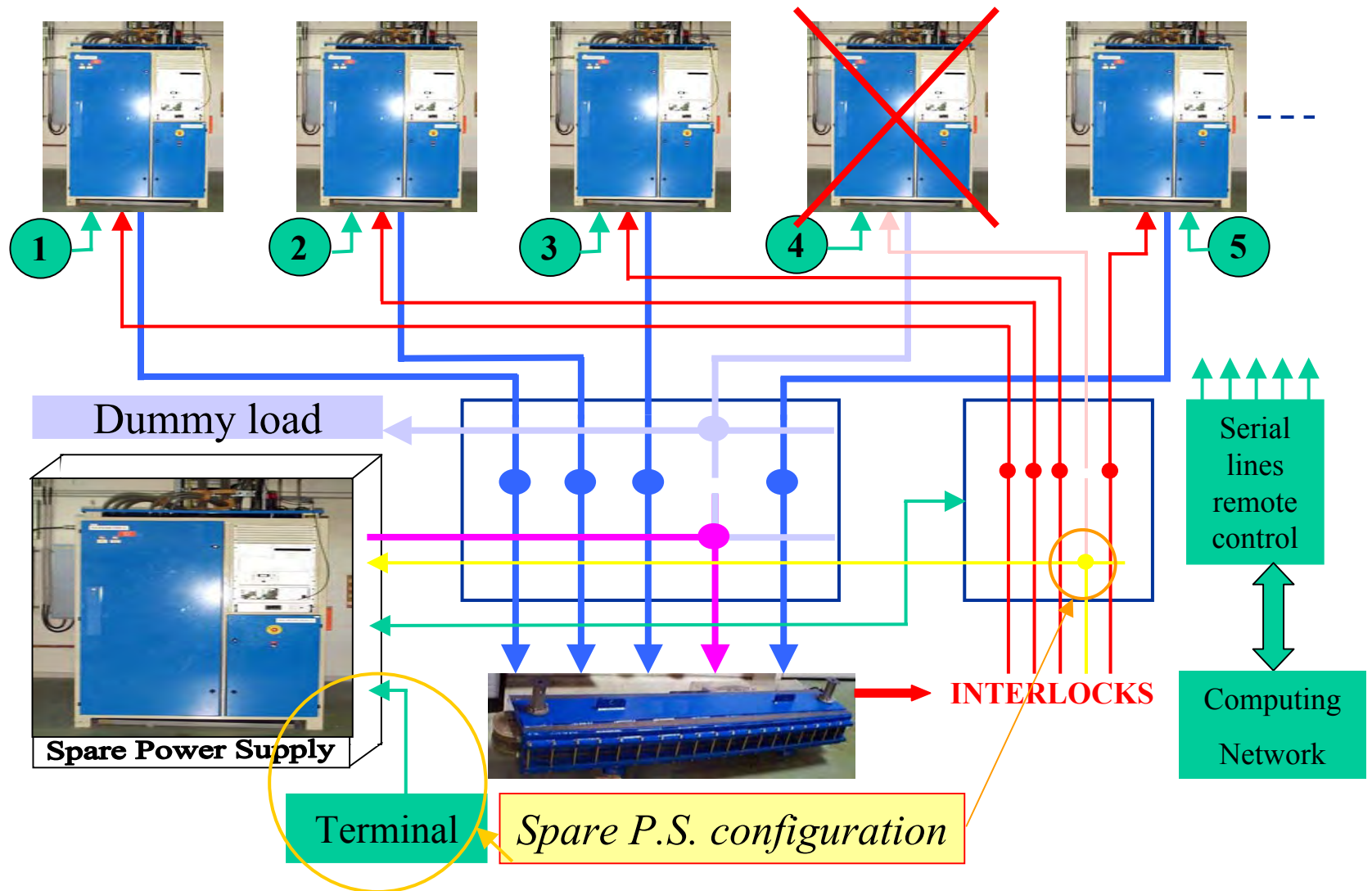
# THE POWER SUPPLIES SWITCHING BOARD



# THE POWER SUPPLIES SWITCHING BOARD

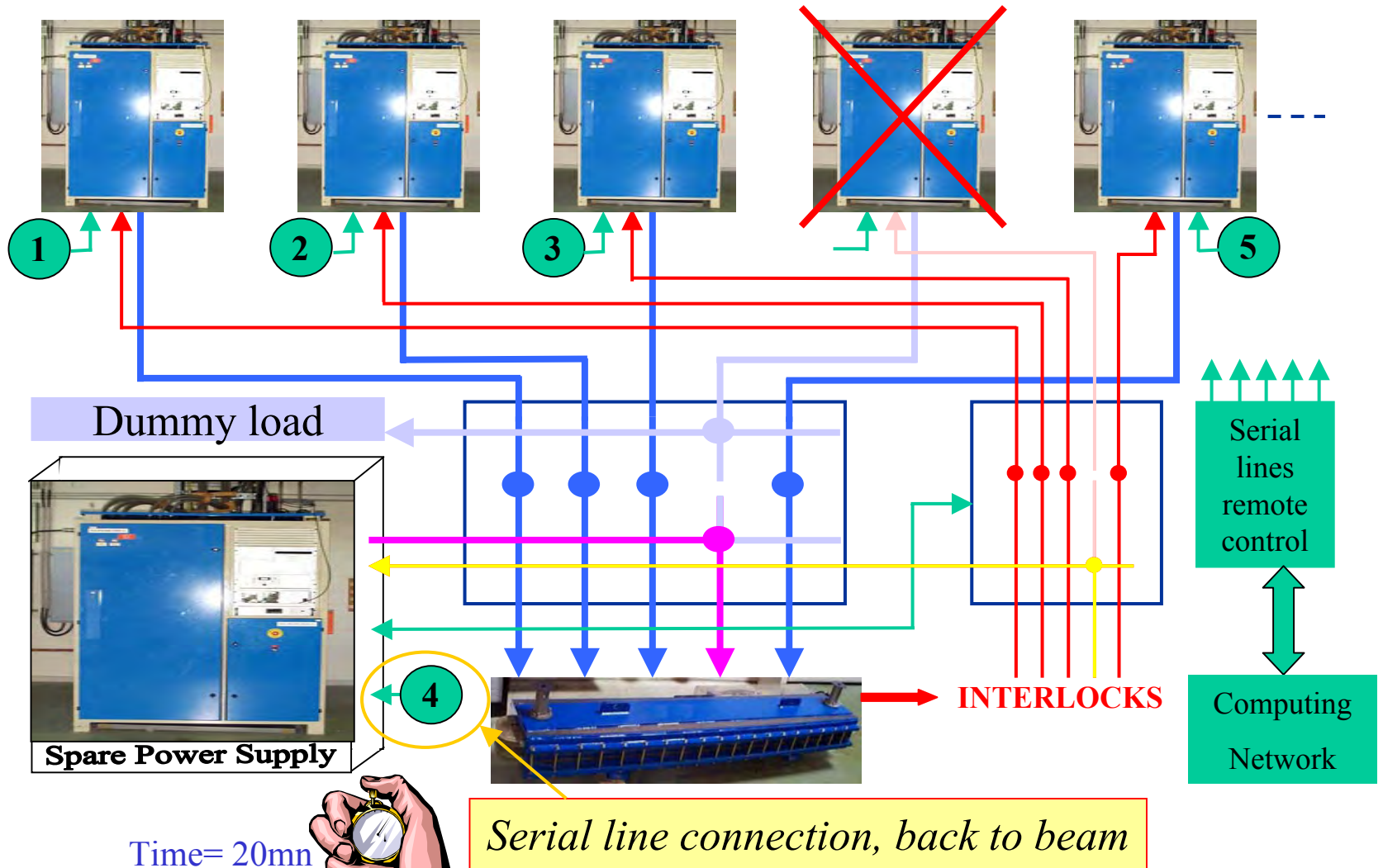


# THE POWER SUPPLIES SWITCHING BOARD

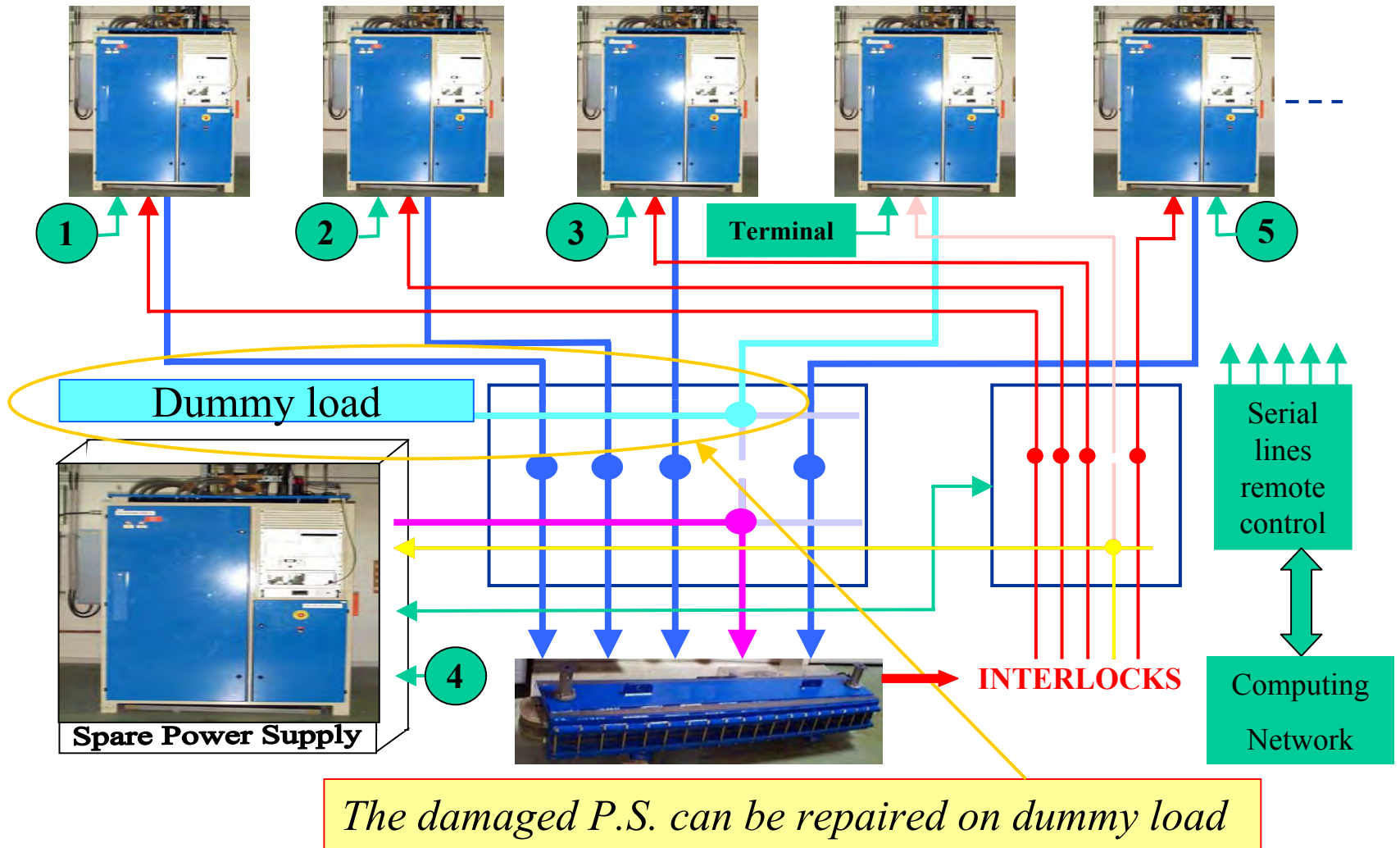


The power supplies switching board

# THE POWER SUPPLIES SWITCHING BOARD

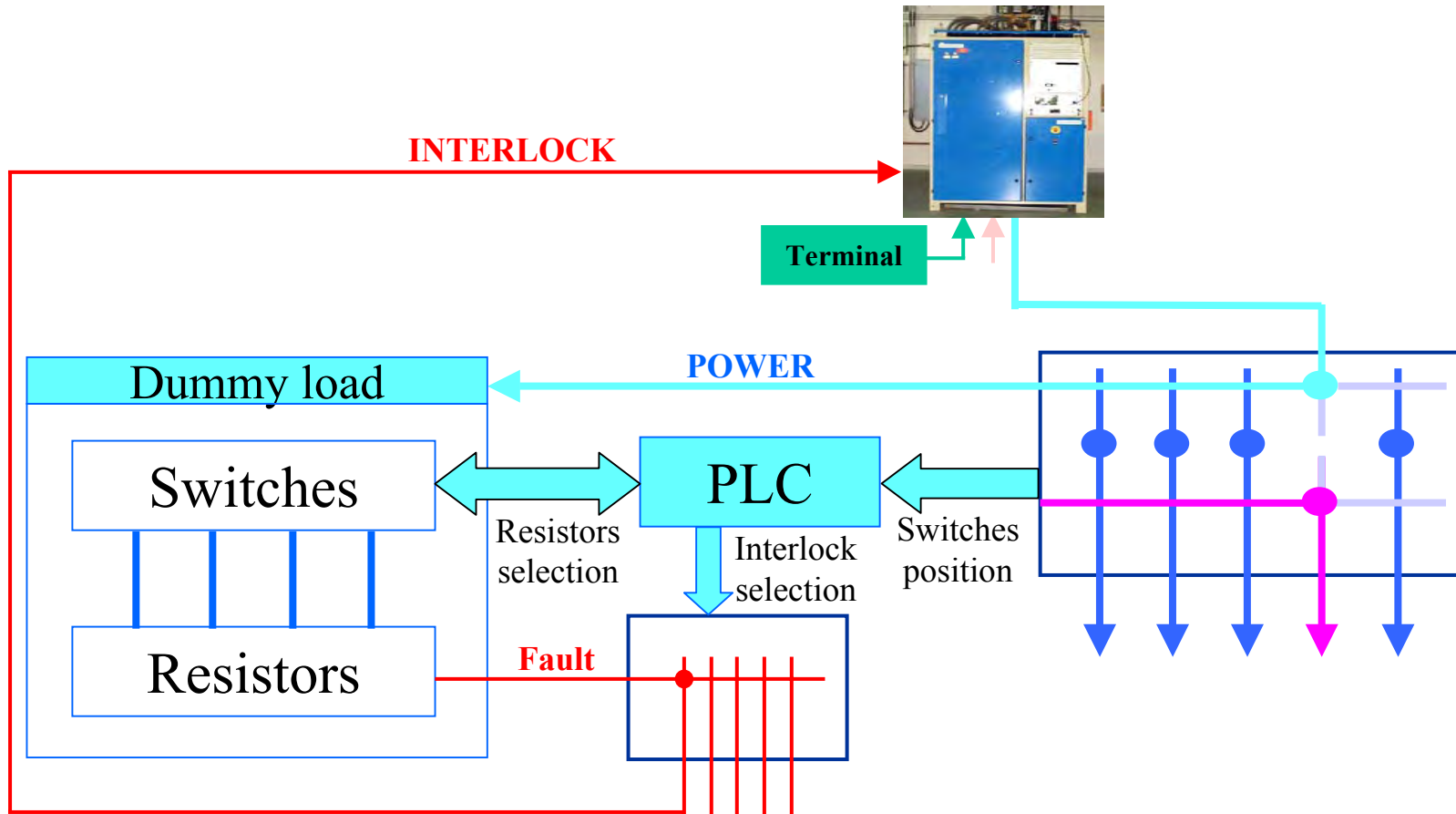


# THE POWER SUPPLIES SWITCHING BOARD



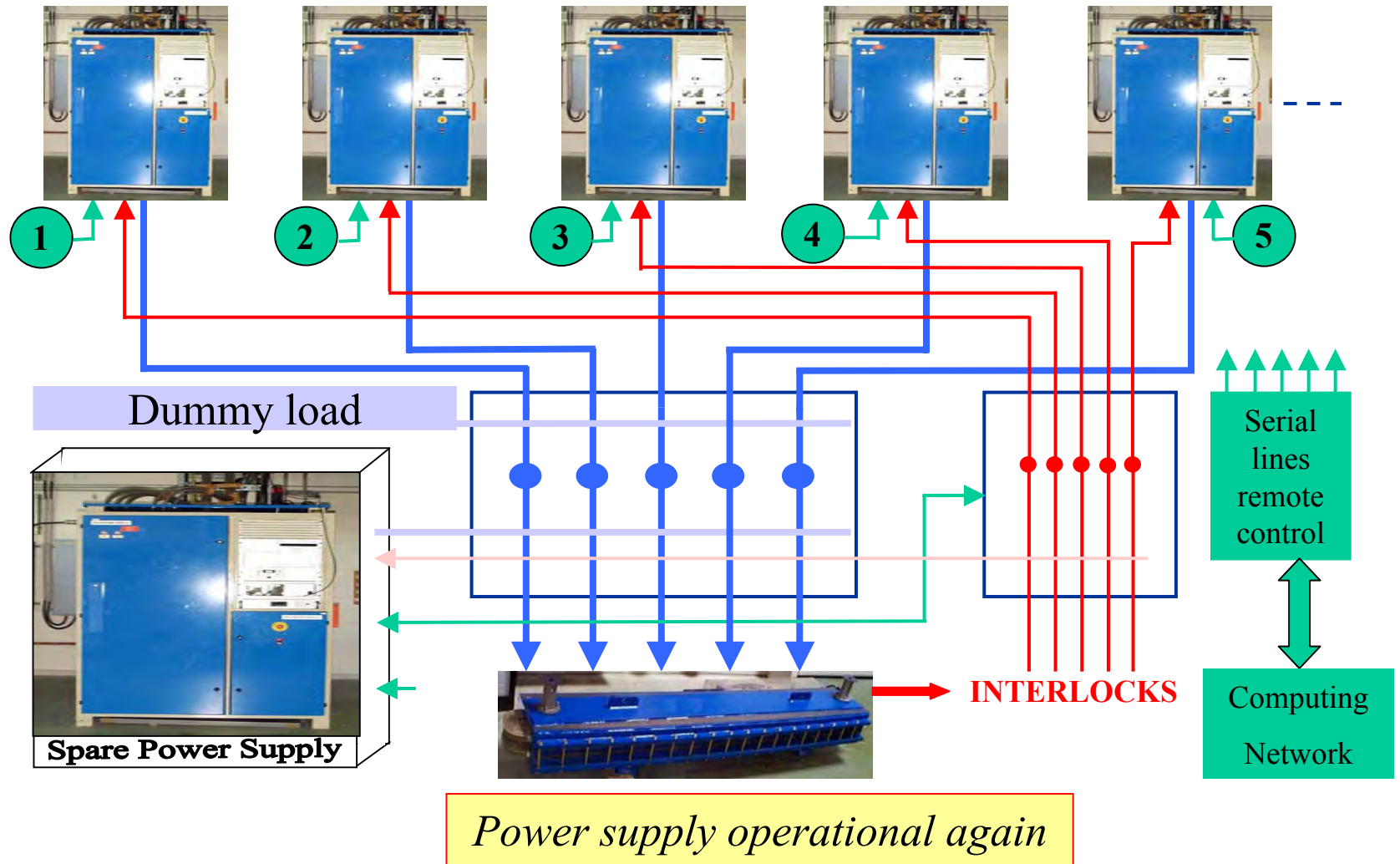


# THE POWER SUPPLIES SWITCHING BOARD



*The dummy load is adapted to the power supply in test*

# THE POWER SUPPLIES SWITCHING BOARD



# THE POWER SUPPLIES SWITCHING BOARD



*One of the inverters*

*The switching board*



The power supplies  
switching board

ARW 5th February 2002  
Jean Marc Koch ESRF

11

# THE POWER SUPPLIES SWITCHING BOARD



PLC

Dummy load



The power supplies switching board

# THE POWER SUPPLIES SWITCHING BOARD

*Insulation  
measurements*



# **THE POWER SUPPLIES SWITCHING BOARD**

**The spare power supply (1200V 800Amp) is in operation since 1995**

**The switching board is in operation since 1997**

**The price: 360 000 €**

**The floor area: 20m<sup>2</sup>**

**The time for switching: 20mn**