

1

2

3

MOD

DATE

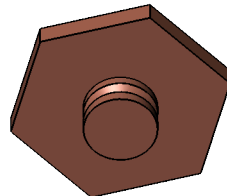
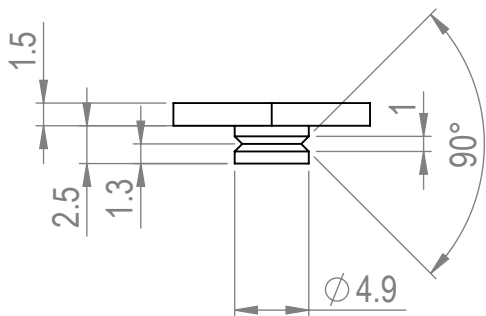
DRND.

APPD.

DESCRIPTION

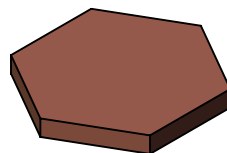
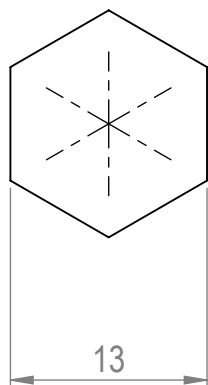
D

D



C

C



B

B

REMOVE ALL BURRS AND SHARP EDGES.

CUOFHC

DESCRIPTION / REMARKS

MATERIAL

TREATMENT

W.(Kg)

SCALE: 2/1

0mm

10

DRN.

NAME

DATE

CKD.

K. KUMMER

30/10/17

APPD.
GEN. TOL. : ISO 2768 fH

GEN. SURFACE FINISH : Ra 1.6

A

A

ID32-UPBL07

RIXS

HEXAGON SAMPLE HOLDER

ASSY.



EUROPEAN SYNCHROTRON RADIATION FACILITY

CS 40220 - 38043 Grenoble Cedex 9
TEL. 04-76-88-20-00 WWW.ESRF.FR

20 pieces

A4

1

2

3

SolidWorks